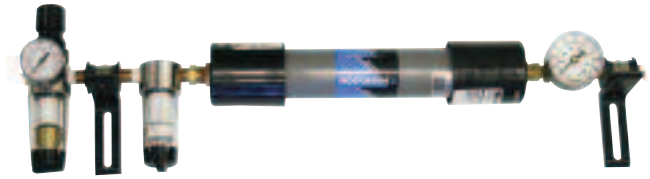


# CGF Series

## Collet and Gripper Filtration Unit

Low-maintenance filtration and solenoid kit used for control of Aerotech collet workholding stages

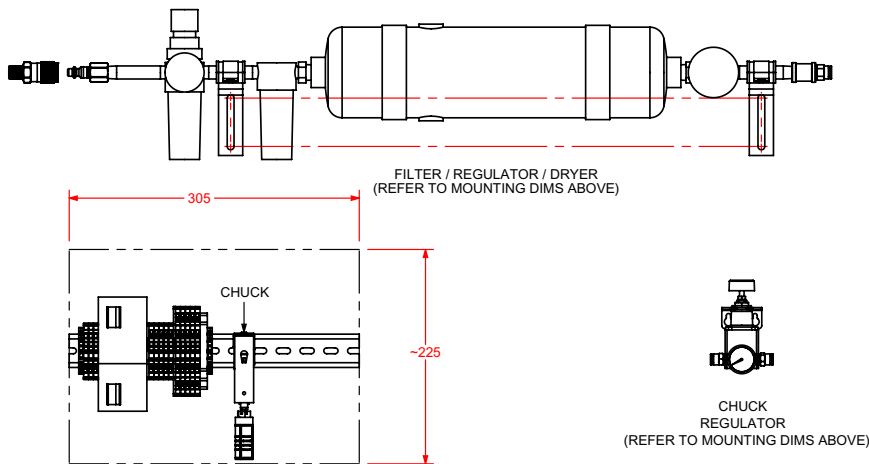
Compatible with the ASR, ACS, CCS, LaserTurn, and Vasculathe systems and all Aerotech amplifiers and controllers



### CGF Series DIMENSIONS

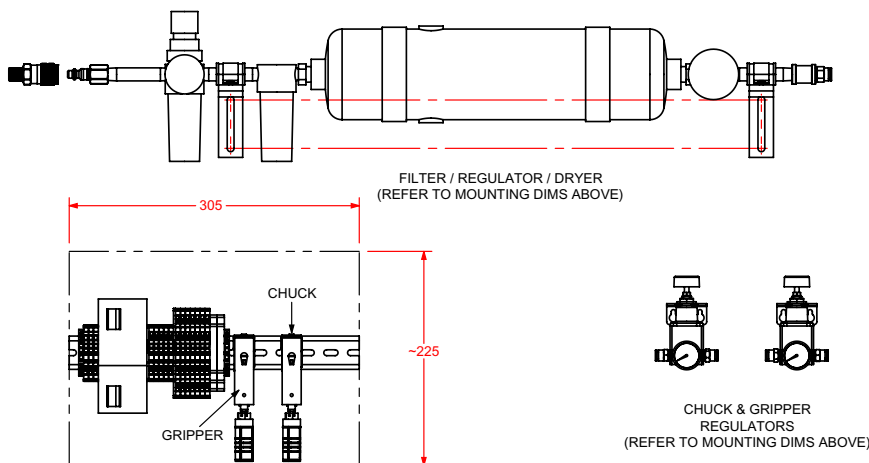
FK3: FILTER / REGULATOR / DRYER / CHUCK SOLENOID KIT

NOTE: INTERCONNECT COMPONENTS (e.g. TUBING, FITTINGS, CHECK VALVES,...) ARE INCLUDED FOR SEAMLESS INTEGRATION WITH STAGE.



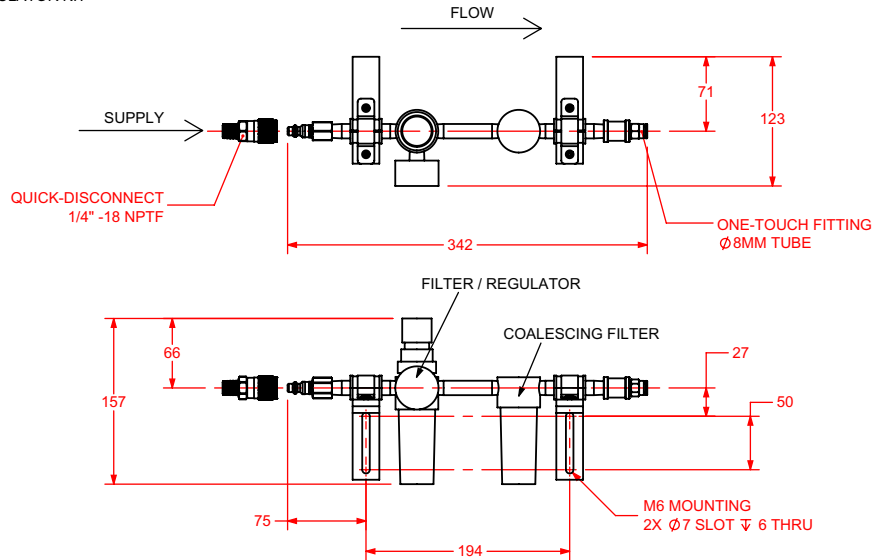
FK4: FILTER / REGULATOR / DRYER / CHUCK & GRIPPER SOLENOID KIT

NOTE: INTERCONNECT COMPONENTS (e.g. TUBING, FITTINGS, CHECK VALVES,...) ARE INCLUDED FOR SEAMLESS INTEGRATION WITH STAGE.

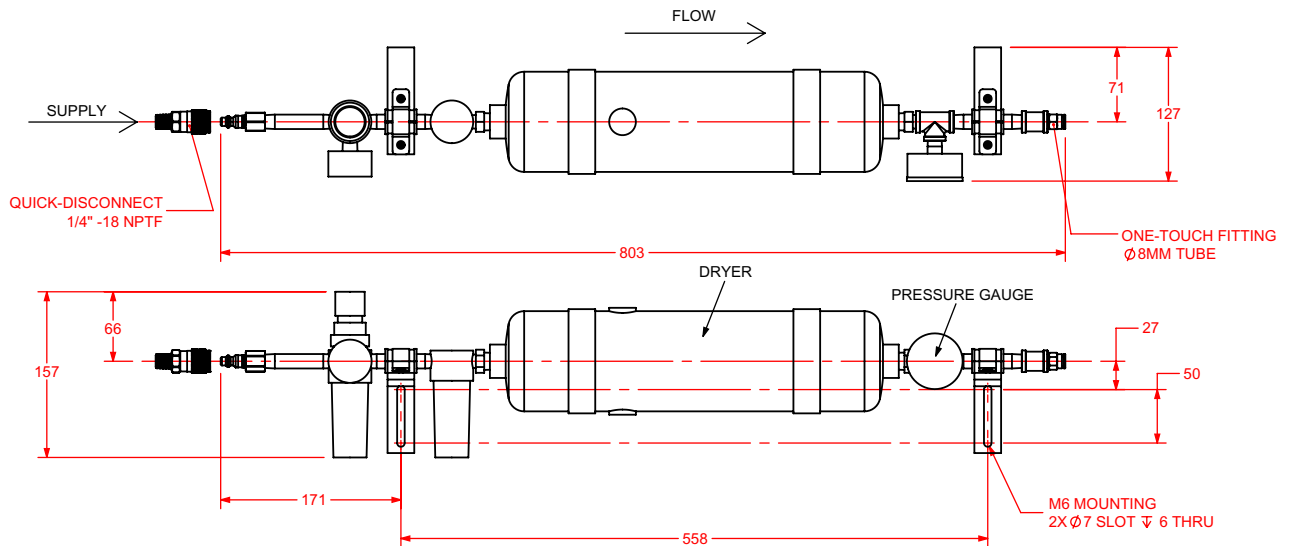


## CGF Series DIMENSIONS

FK1: FILTER / REGULATOR KIT

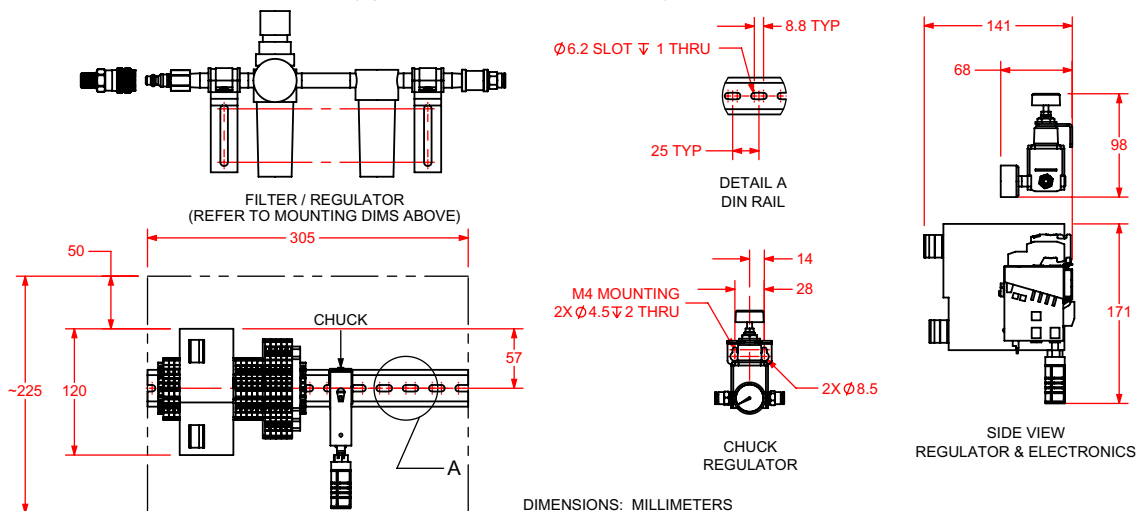


FK2: FILTER / REGULATOR / DRYER KIT



FK3: FILTER / REGULATOR / CHUCK SOLENOID KIT (CCS190DR ONLY)

NOTE: INTERCONNECT COMPONENTS (e.g. TUBING, FITTINGS, CHECK VALVES,...) ARE INCLUDED FOR SEAMLESS INTEGRATION WITH STAGE.



DIMENSIONS: MILLIMETERS

## CGF Series ORDERING INFORMATION

### Filtration Kit (Required)

---

-FK1	Filter/regulator kit
-FK2	Filter/regulator/dryer kit
-FK3	Filter/regulator/dryer/chuck solenoid valve kit
-FK4	Filter/regulator/dryer/chuck and gripper/solenoid valve kit

*-FK4 is only applicable with the LaserTurn and Vasculathe products.*

### Connector (Required)

---

-CN1	3-ferrule/chuck solenoid valve kit
-CN2	4-ferrule/chuck and gripper solenoid valve kit
-CN3	26-pin HD connector/chuck solenoid valve kit
-CN4	26-pin HD connector/chuck and gripper solenoid valve kit
-CN5	25-pin D connector/chuck solenoid valve kit
-CN6	25-pin D connector/chuck and gripper solenoid valve kit

*Note: Filtration kit options and connector options are both stage and controller/drive dependent. Options available for all ASR, ACS, CCS, LaserTurn, and Vasculathe products. Compatible with all Aerotech and 3rd-party controller and amplifiers.*